

# Merlin Professional

## MGA600 articulated Swing Gate Opener

CHAMBERLAIN™  
merlin™

### Key Features

- Robust construction
- Mounting brackets available for narrow and wide pillars
- Automatic closing with variable settings
- Adjustable force setting
- Solar compatible
- Hold-open mode
- Manual override
- Automatic safety stop
- Pass point electronic limits
- Electronic control box with battery backup
- 2 year warranty

### Accessories Included

- Two 3 channel C945 mini-remotes
- Wireless keypad entry C840
- Infrared safety sensors 771ANZ

### Optional Accessories

- Fingerprint keyless entry pad
- Wireless wall button
- 2, 3 or 4 channel mini-remotes
- Single channel remote
- Flashing safety light

### Specifications

- 12V DC operation
- Input voltage: 240V AC
- Max gate wing width: 3m
- Rated gate wing weight: 250kg
- Min column width:
  - Art 6: 150mm
  - Art 7: 300mm
- Pulling force: 250N
- IP rating: 44
- Band 433.92MHz AM radio high security rolling code with peak detect

## Smooth articulated swing gate opener for gates up to 3.0m wide



Max gate wing width	Column width	Rated gate weight	Pulling force	Motor	Drive system
3.0m	150 or 300mm	250kg	250N	DC	Articulated

### Long-lasting Protection and Durability

High impact UV resistant nylon housing. Moisture and insect resistant coated PCB.

### Robust Maintenance-Free Drive Mechanism

Minimises maintenance by enclosing the gate drive mechanism.

### Mounting Brackets

Allows flexible mounting behind narrow or wide posts.

### Automatic Variable Closing Settings

Setting allows delayed automatic closure for dual leaf interlocking gate.

### Adjustable Force Setting

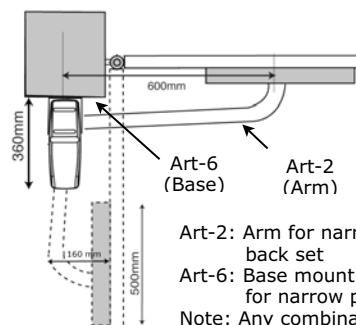
Allows you to tailor the gate's force to environmental conditions.

### Automatic Safety Stop Using Infrared Safety Sensors

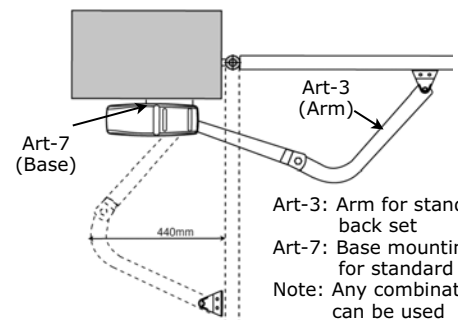
The low energy automatic stopping system reduces the risk of damage to people and property by stopping the gate when the beam is broken.

### Warranty:

The MGA600 comes with a two year warranty.



Art-2: Arm for narrow back set  
 Art-6: Base mounting plate for narrow pillars  
 Note: Any combination can be used



Art-3: Arm for standard back set  
 Art-7: Base mounting plate for standard pillars  
 Note: Any combination can be used